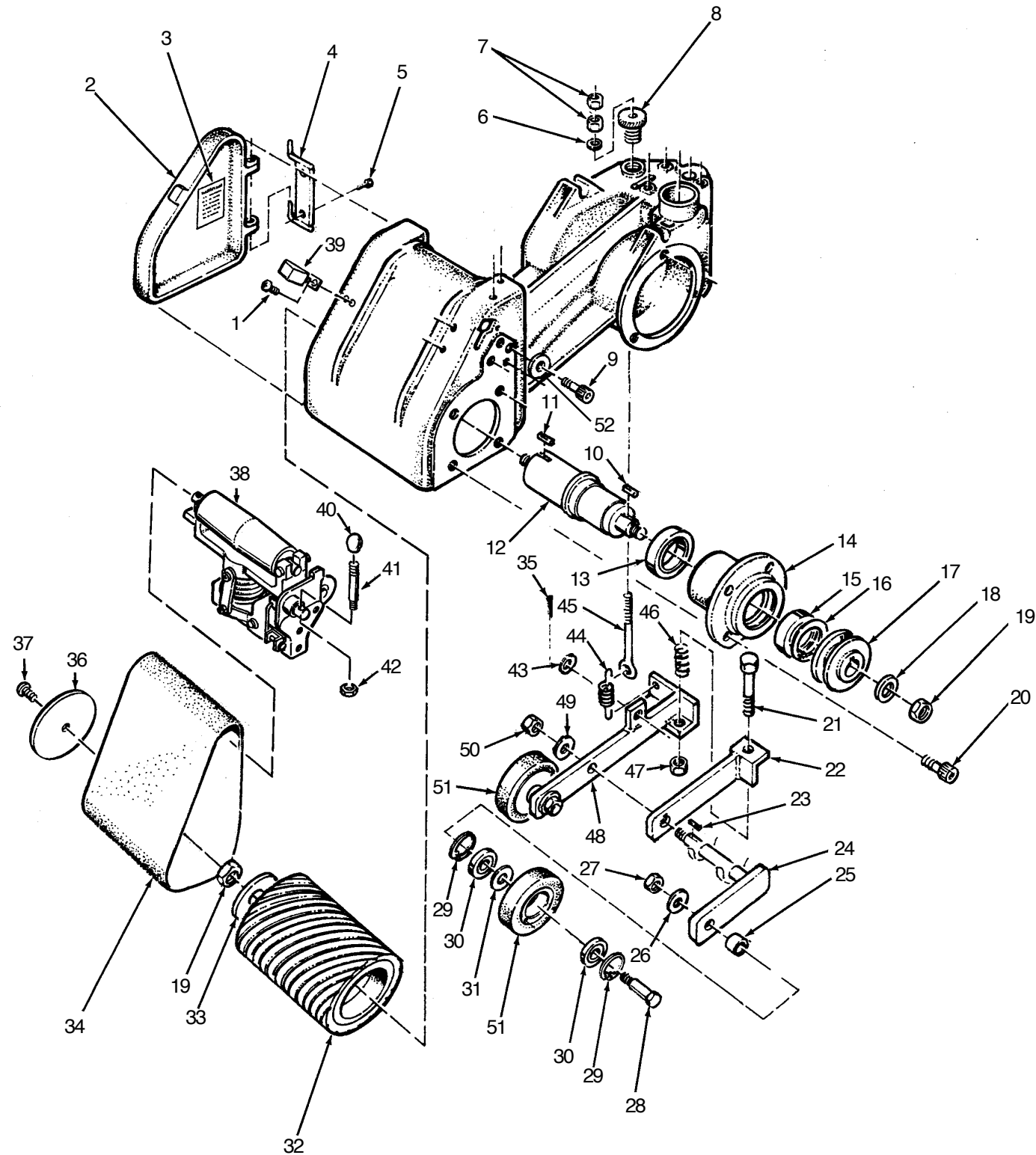


AMERICAN SANDERS TECHNOLOGY
 American Classic Sander 8
 Assembly Drawing #1 11/00



AMERICAN SANDERS TECHNOLOGY
 American Classic Sander 8
 Assembly Parts List #1 11/00

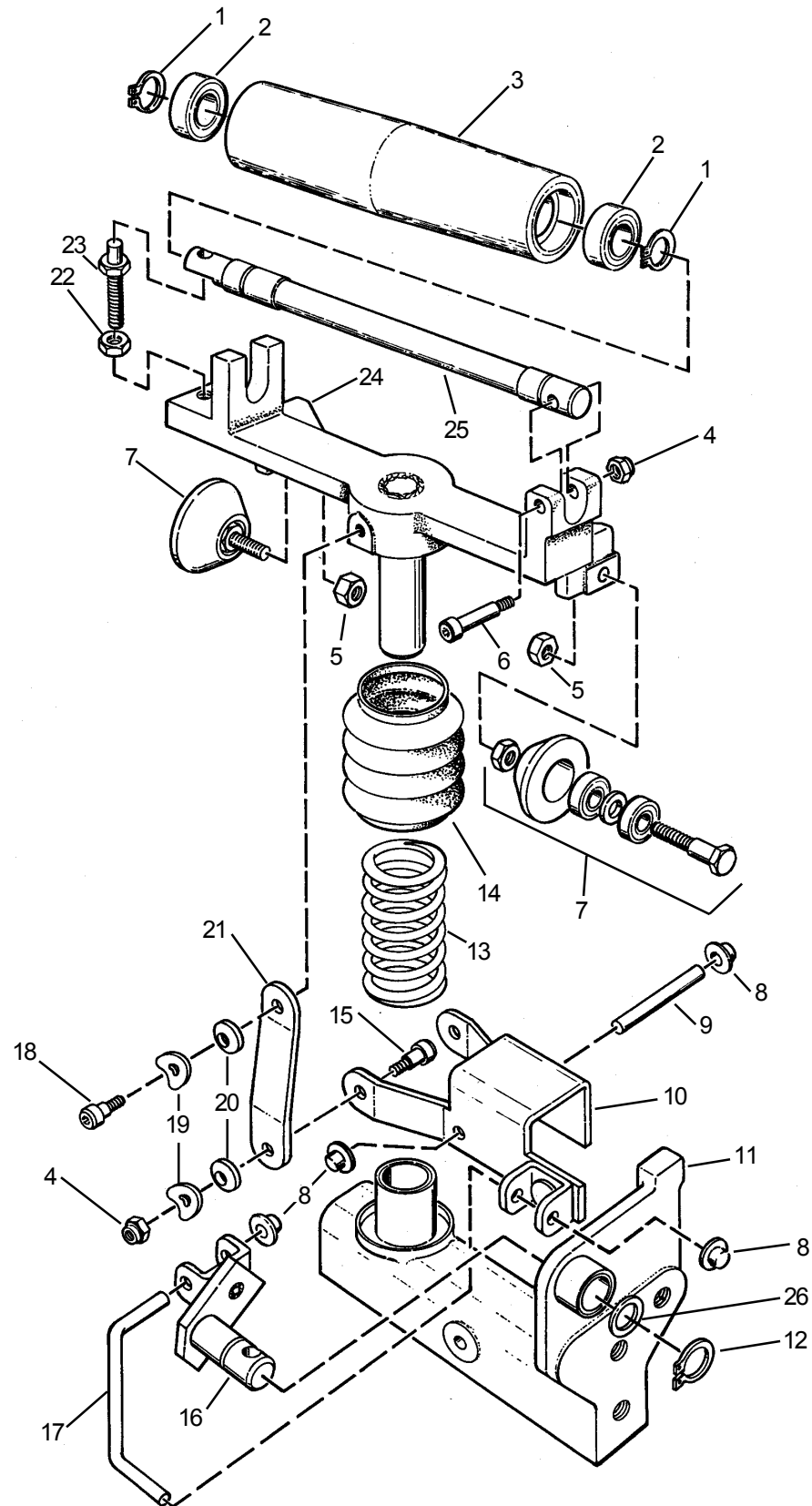
| Ref No. | Part No | Description | Qty |
|---------|---------|--------------------------|-----|
| 1 | 962727 | Screw, 8-32 x 1/2 | 2 |
| 2 | 22300A◆ | Door Access | 1 |
| 3 | 77057A | Label Belt Tracking Adj. | 1 |
| 4 | 64506C◆ | Hinge Access Door | 1 |
| 5 | 85386A | Screw 10 - 24 x 5/8 | 2 |
| 6 | 980645 | Washer 3/8 | 1 |
| 7 | 920260 | Nut 3/8 - 16 | 2 |
| 8 | 65307A | Knob Sanding Pressure | 1 |
| 9 | 86112A | Screw 3/8 - 16 x 3/4 | 3 |
| 10 | 65305A | Key 1/4 Sq x 1 1/4 | 1 |
| 11 | 65306A | Key 1/4 Sq x 3/4 | 1 |
| 12 | 67444A | Shaft Arbor | 1 |
| 13 | 51172A | Bearing | 1 |
| 14 | 61641A | Carrier Bearing | 1 |
| 15 | 51171A | Bearing | 1 |
| 16 | 57844A | Ring Retaining | 1 |
| 17 | 66219A | Pulley Contact Wheel 3V | 1 |
| 18 | 980679 | Washer 3/4 | 1 |
| 19 | 81106A | Nut 3/4 - 10 Lock | 2 |
| 20 | 86110A | Screw 3/8 - 16 x 1 | 4 |
| 21 | 85834A | Screw 3/8 - 16 x 2 1/2 | 1 |
| 22 | 60421A | Arm Truck Level | 1 |
| 23 | 65309A | Key 1/4 Sq x 1/2 | 1 |
| 24 | 68395A | Axle Truck | 1 |
| 25 | 67868A | Spacer Truck Wheel | 2 |
| 26 | 87033A | Washer 9/16 | 2 |

| Ref No. | Part No | Description | Qty |
|---------|---------|-------------------------|-----|
| 27 | 81107A | Nut 9/16 - 12 ESNA | 2 |
| 28 | 85725A | Screw 9/16 - 12 x 2 1/2 | 2 |
| 29 | 747304 | Ring Retaining | 2 |
| 30 | 902606 | Bearing | 4 |
| 31 | 67862A | Spacer | 2 |
| 32 | 39858A | Contact Wheel | 1 |
| 33 | 87030A | Retainer Contact Wheel | 1 |
| 34 | 50913A | Abrasive | 1 |
| 35 | 925036 | Pin Cotter | 1 |
| 36 | 68674A | Plate, Drum End | 1 |
| 37 | 87700A | Screw, 1/4-20 x 1/2 | 1 |
| 38* | | Tension Asm. | 1 |
| 39 | 55717A | Latch | 1 |
| 40 | 815051 | Knob | 1 |
| 41 | 64467A | Lever, Release | 1 |
| 42 | 920110 | Nut, 5/16 - 18 | 1 |
| 43 | 980645 | Washer 3/8 | 1 |
| 44 | 58691A | Spring Sanding Pressure | 1 |
| 45 | 80005A | Bolt Swing | 1 |
| 46 | 58689A | Spring Truck Level | 1 |
| 47 | 920248 | Nut 3/8 - 16 ESNA | 1 |
| 48 | 60422A | Arm Truck Lift | 1 |
| 49 | 980648 | Washer 1/2 | 1 |
| 50 | 920365 | Nut 1/2 - 13 ESNA | 1 |
| 51 | 19610A | Wheel Asm. Truck | 2 |
| 52 | 87000A | Washer, Flat | 3 |

NOTE: ◆ indicates a change has taken place since last publication of this manual

* **Note:** Tension Assembly breakdown and parts list are on pages 22 and 23.

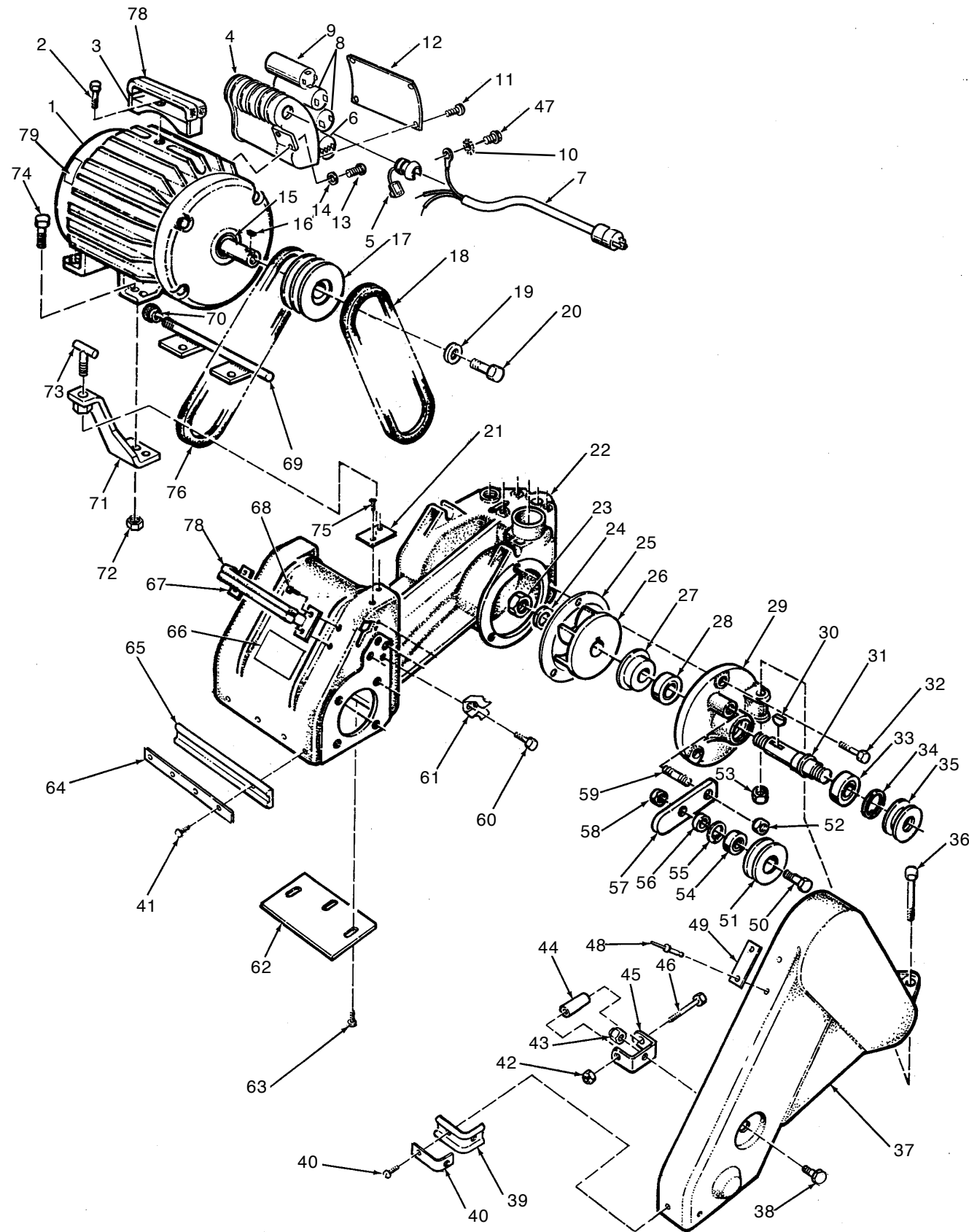
AMERICAN SANDERS TECHNOLOGY
 American Classic Sander 8
 Tension Assembly Drawing 10/99



AMERICAN SANDERS TECHNOLOGY
 American Classic Sander 8
 Tension Assembly Parts List 10/99

| Ref No. | Part No | Description | Qty |
|---------|---------|--|-----|
| 1 | 747380 | Retaining Ring ⁹ / ₁₆ | 2 |
| 2 | 902567 | Bearing | 2 |
| 3 | 67201B | Roller | 1 |
| 4 | 920296 | Nut, 10-24 | 3 |
| 5 | 81102A | Nut, ¹ / ₄ -20 | 2 |
| 6 | 80020A | Shoulder Bolt, ¹ / ₄ x 1 | 1 |
| 7 | 14701A | Guide, Roller Asm. | 2 |
| 8 | 81501A | Pushnut ¹ / ₄ | 4 |
| 9 | 66537A | Pin | 1 |
| 10 | 50772A | Draw Lever | 1 |
| 11 | 50775A | Support | 1 |
| 12 | 797301 | Retaining Ring ⁵ / ₈ | 1 |
| 13 | 53410A | Spring, Tension | 1 |
| 14 | 50719A | Boot, Tension Spring | 1 |
| 15 | 961014 | Shoulder Bolt, ¹ / ₄ x ³ / ₈ | 2 |
| 16 | 61804A | Cam Weldment | 1 |
| 17 | 65709A | Connecting Link | 1 |
| 18 | 80018A | Shoulder Bolt, ¹ / ₄ x ¹ / ₄ | 2 |
| 19 | 87502A | Washer, ¹ / ₄ Bowed | 4 |
| 20 | 87503A | Washer ¹ / ₄ Beveled | 4 |
| 21 | 65708A | Draw Link | 2 |
| 22 | 81303A | Nut, ¹ / ₄ -28 Jam | 1 |
| 23 | 60150A | Aduster, Tracking | 1 |
| 24 | 61666A | Carriage, Roller | 1 |
| 25 | 67465A | Shaft, Roller | 1 |
| 26 | 980018 | Washer, Nylon | 1 |

AMERICAN SANDERS TECHNOLOGY
 American Classic Sander 8
 Assembly Drawing #2 11/00



AMERICAN SANDERS TECHNOLOGY
 American Classic Sander 8
 Assembly Parts List #2 11/00

| Ref No | Part No. | Description | Qty |
|--------|----------|----------------------------|-----|
| 1 | 44639A | Motor | 1 |
| 2 | 962870 | Screw 3/8 - 16 x 1 | 1 |
| 3 | 64460A | Handle, Motor | 1 |
| 4 | 22904A | Enclosure, Motor | 1 |
| 5 | 697502 | Strain, Relief | 1 |
| 6 | 47378A | Switch, Start | 1 |
| 7 | 41945A | Cord, Motor | 1 |
| 8 | 41305A | Capacitor 161-193 MFD | 2 |
| 9 | 41304A | Capacitor 40 MFD | 1 |
| 10 | 980603 | Washer, Star #10 | 1 |
| 11 | 962330 | Screw, 6-32 x 3/8 | 4 |
| 12 | 73715A | Plate, Warning | 1 |
| 13 | 962823 | Screw 1/4 - 20 x 1/2 | 2 |
| 14 | 980614 | Washer | 2 |
| 15 | 57712A | Ring, Retaining | 1 |
| 16 | 65305A | Key 1/4 Sq. x 1 1/2 | 1 |
| 17 | 66171A | Pulley, Motor | 1 |
| 18 | 51025A | Belt, Fan | 1 |
| 19 | 87034A | Retainer, Motor, Pulley | 1 |
| 20 | 962288 | Screw 3/8 - 16 x 1 | 1 |
| 21 | 61411A | Pad T-Screw | 1 |
| 22 | 20009B | Frame, Main | 1 |
| 23 | 81202A | Nut 7/16 LH | 1 |
| 24 | 87002A | Washer | 1 |
| 25 | 34262A | Gasket, Fan | 1 |
| 26 | 23301A | Fan | 1 |
| 27 | 61602A | Collar | 1 |
| 28 | 902567 | Bearing | 1 |
| 29 | 22126C | Cover, Fan | 1 |
| 30 | 65302A | Key | 1 |
| 31 | 67445A | Shaft, Fan | 1 |
| 32 | 85811A | Screw 5/16 - 18 x 3/4 | 3 |
| 33 | 51111A | Bearing | 1 |
| 34 | 877304 | Ring, Retaining | 1 |
| 35 | 66169A | Pulley, Fan | 1 |
| 36 | 80017A | Bolt, Shoulder 3/8 x 2 3/4 | 1 |
| 37 | 23805A | Guard, Belt | 1 |
| 38 | 85700A | Bolt 1/4 - 20 x 3/4 | 1 |

| Ref No | Part No. | Description | Qty |
|--------|----------|------------------------|-----|
| 39 | 31221A | Bumper, Side | 1 |
| 40 | 66932A | Retainer | 1 |
| 41 | 85517A | Screw 10 - 24 x 3/8 | 6 |
| 43 | 81102A | Nut 1/4 - 20 ESNA | 2 |
| 44 | 68393A | Tube, Latch | 1 |
| 45 | 60623A | Bracket, Latch | 1 |
| 46 | 85702A | Screw 1/4 - 20 x 1 3/4 | 1 |
| 47 | 85833A | Screw, 10-32 x 3/8 | 1 |
| 48 | 930093 | Rivet | 2 |
| 49 | 74045A | Plate | 1 |
| 50 | 962216 | Screw 3/8 - 16 x 1 1/4 | 1 |
| 51 | 66170A | Pulley, Idler | 1 |
| 52 | 81108A | Nut 3/8 - 24 | 1 |
| 53 | 920110 | Nut 5/16 - 18 | 1 |
| 54 | 902619 | Bearing | 1 |
| 55 | 57801A | Ring, Retaining | 1 |
| 56 | 67875A | Spacer | 1 |
| 57 | 60414A | Arm, Idler | 1 |
| 58 | 171101 | Nut 3/8 - 16 | 1 |
| 59 | 68010A | Stud | 1 |
| 60 | 86111A | Screw 1/4 - 20 x 1/2 | 1 |
| 61 | 61600A | Clip | 1 |
| 62 | 50778A | Shoe, Dust | 1 |
| 63 | 962826 | Screw 10 - 24 x 3/8 | 3 |
| 64 | 66931A | Retainer | 1 |
| 65 | 31220A | Bumper | 1 |
| 66 | 70143A | Plate Classic 8 | 1 |
| 67 | 64455A | Handle | 1 |
| 68 | 87700A | Screw 1/4 - 20 x 1/2 | 4 |
| 69 | 50776A | Mount, Motor, Rear | 1 |
| 70 | 65304A | Knob, Motor, Mounting | 1 |
| 71 | 50777A | Mount, Motor, Front | 1 |
| 72 | 920342 | Nut 3/8 - 16 | 4 |
| 73 | 68394A | T-Screw | 1 |
| 74 | 85703A | Screw 3/8 - 16 x 1 1/2 | 4 |
| 75 | 85517A | Screw 10-24 x 3/8 | 2 |
| 76 | 51021A | Belt-V, Contact Wheel | 1 |
| 78 | 32357A | Cover, Handle | 4 |
| 79 | 77234A | Label, Lifting Warning | 1 |

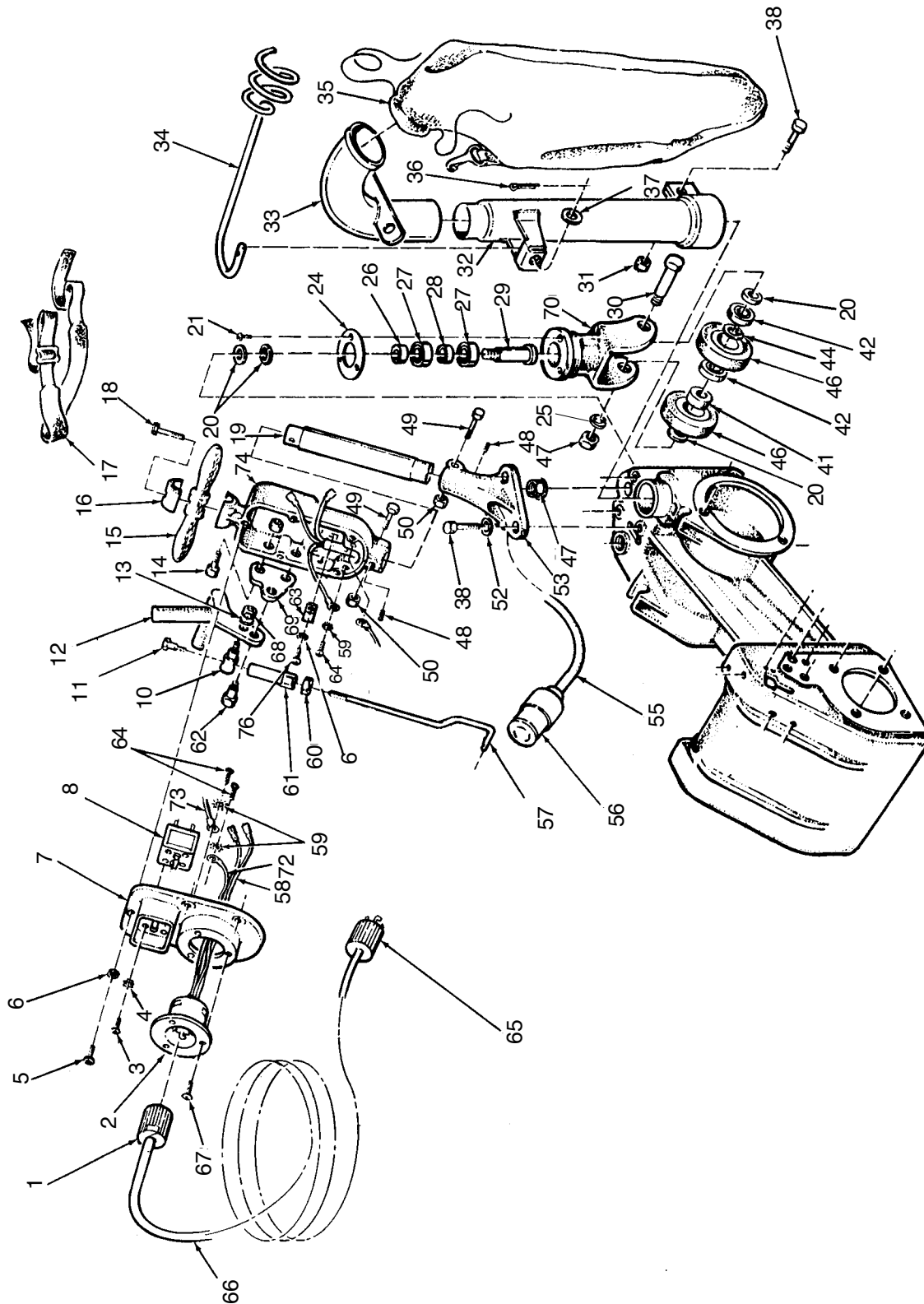
NOTE: ♦ indicates a change has taken place since last publication of this manual

Motor Parts Not Illustrated

| Part # | Description | Qty. |
|--------|-------------|------|
| 50563A | End Bell | 1 |
| 52768A | Front Cover | 1 |
| 53998A | Fan | 1 |
| 52769A | Fan Cover | 1 |

| Part # | Description | Qty. |
|--------|-------------------|------|
| 51188A | Bearing Front | 1 |
| 902547 | Bearing Rear | 1 |
| 40316A | Armature Assembly | 1 |

AMERICAN SANDERS TECHNOLOGY
 American Classic Sander 8
 Assembly Drawing #3 11/00



AMERICAN SANDERS TECHNOLOGY
 American Classic Sander 8
 Assembly Parts List #3 11/00

| Ref. No | Part No. | Description | Qty |
|---------|----------|--------------------------|-----|
| 1 | 41706A | Connector Body | 1 |
| 2 | 43501A | Inlet | 1 |
| 3 | 85313C | Screw 6 - 32 x 1 1/4 | 2 |
| 4 | 980607 | Washer | 4 |
| 5 | 962794 | Screw 10 - 24 x 3/4 | 5 |
| 6 | 980650 | Washer 3/16 Lock | 7 |
| 7 | 22127C◆ | Cover, Switch | 1 |
| 8 | 41411A | Switch | 1 |
| 10 | 66151A | Pivot, Control, Rod | 1 |
| 11 | 80021A | Bolt, Shoulder 3/8 x 5/8 | 1 |
| 12 | 25601A | Lever, Control | 1 |
| 13 | 980646 | Washer 1/4 | 1 |
| 14 | 962481 | Screw 1/4 - 20 x 1 1/4 | 2 |
| 15 | 64405A | Handle | 1 |
| 16 | 21904C◆ | Clamp | 1 |
| 17 | 60724A | Belt | 1 |
| 18 | 85818A | Screw 5/16 - 18 x 2 1/2 | 1 |
| 19 | 66116C◆ | Pipe, Handle | 1 |
| 20 | 87003A | Washer | 4 |
| 21 | 962823 | Screw 1/4 - 20 x 1/2 | 3 |
| 22* | 77039A | Label, Made in USA | 1 |
| 24 | 66913A | Retainer, Bearing | 1 |
| 25 | 87101A | Washer Lock 1/2 Nom. | 1 |
| 26 | 67812A | Spacer | 1 |
| 27 | 51112A | Bearing | 2 |
| 28 | 67821A | Spacer | 1 |
| 29 | 60715B | Bolt, Pivot | 1 |
| 30 | 60101A | Axle | 1 |
| 31 | 920342 | Nut 3/8 - 16 | 1 |
| 32 | 66150A | Tube, Dust | 1 |
| 33 | 62800A | Pipe Assembly | 1 |
| 34 | 60401A | Arm-Cable | 1 |
| 35 | 60721B | Bag Assembly | 1 |

| Ref. No | Part No. | Description | Qty |
|---------|----------|-------------------------|-----|
| 36 | 925036 | Pin, Cotter | 1 |
| 37 | 980651 | Washer 3/8 | 1 |
| 38 | 962288 | Screw 3/8 - 16 x 1 | 4 |
| 41 | 67810A | Spacer | 1 |
| 42 | 902606 | Bearing | 4 |
| 44 | 747304 | Ring, Retaining Arm | 2 |
| 46* | 19611A | Wheel Asm. Caster | 2 |
| 47 | 81209A | Nut 1/2 - 13 Large Fig. | 2 |
| 48 | 86200A | Screw 3/8 - 16 x 5/8 | 2 |
| 49 | 85816A | Screw 5/16 - 18 x 1 1/4 | 2 |
| 50 | 920110 | Nut 5/16 - 18 | 2 |
| 52 | 980638 | Lock Washer 3/8 | 3 |
| 53 | 21105C◆ | Mount, Handle | 1 |
| 55 | 41917A | Cord, Interconnect | 1 |
| 56 | 41707A | Connector, Body | 1 |
| 57 | 67130A | Rod Control | 1 |
| 58 | 49023A | Wire Assembly | 2 |
| 59 | 980699 | Washer | 3 |
| 60 | 920148 | Nut 3/8 - 16 | 1 |
| 61 | 67129A | Adjustor, Control Rod | 1 |
| 62 | 80022A | Bolt, Shoulder | 1 |
| 63** | 51074A | Clamp, Cord | 2◆ |
| 64 | 962015 | Screw 10 - 24 x 3/8 | 3 |
| 66 | 42201A | Cord Set | 1 |
| | 42302A | Cord, Power 240/50 | 1 |
| 67 | 962065 | Screw 8 - 32 x 1/4 | 5 |
| 68 | 920284 | Nut 1/4 - 20 | 3 |
| 69 | 66694A | Plate, Control Lever | 1 |
| 70 | 29403C◆ | Yoke, Wheel | 1 |
| 72 | 48900A | Wire Assembly | 1 |
| 73 | 48901A | Wire Assembly (Grn) | 1 |
| 74 | 20704C◆ | Box Switch | 1 |
| 75* | 38109A | Seal, Dust Pipe | 1 |
| 76** | 85517A | Screw, 10-24 x 1/2 | 2 |

*NOTE: #22, #46, #75 not illustrated.

NOTE: 43A/45A - Part # 64806A - Wheel, Steel (optional) - Qty. 2

**NOTE: #63 & #76 only one shown

NOTE: ◆ indicates a change has taken place since last publication of this manual

AMERICAN SANDERS TECHNOLOGY
 American Classic Sander 8
 Wiring Diagram 7/93

