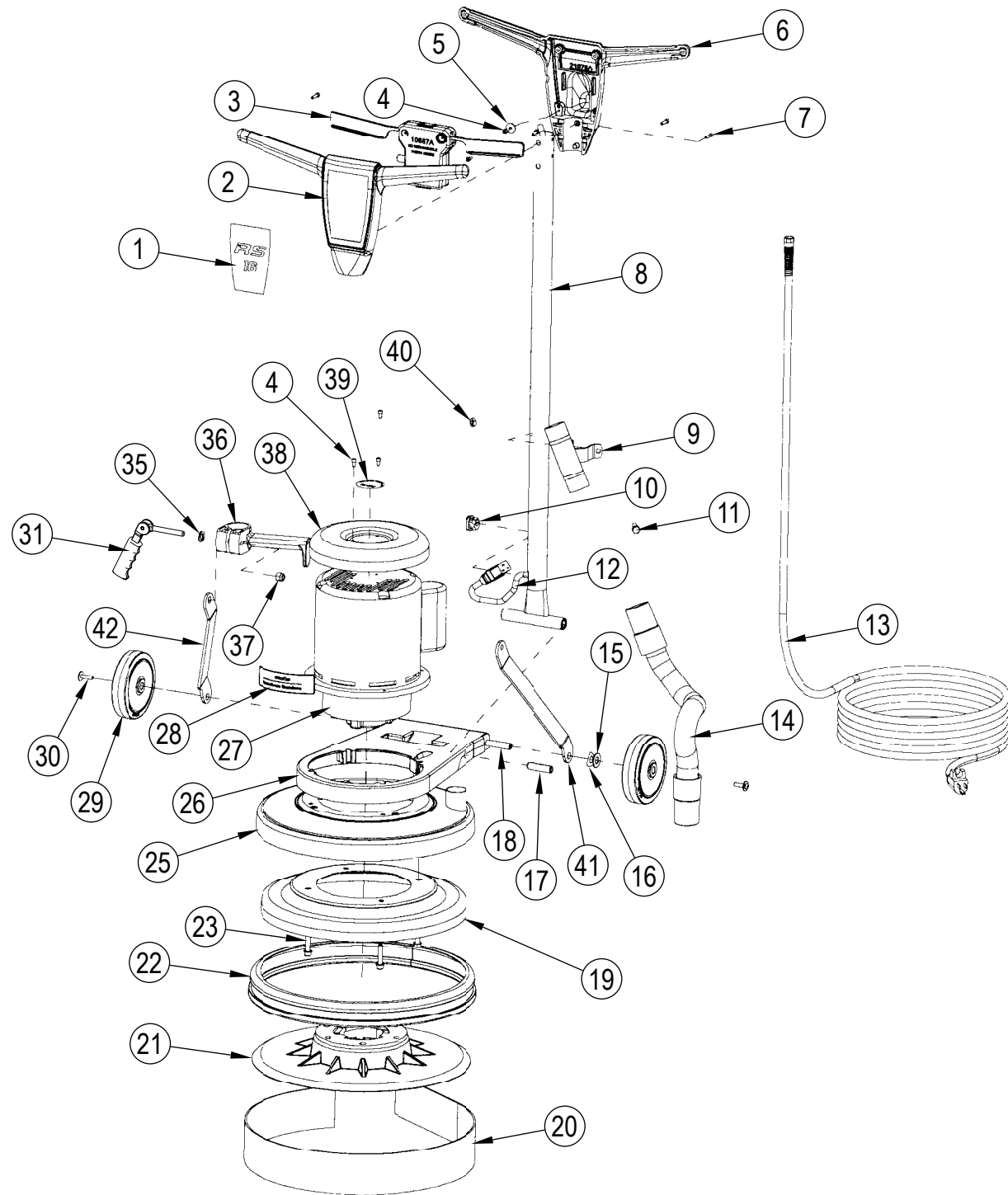


**Clarke
American Sanders**
RS-16, RS-16 DC
Assembly Drawing 1/10



**Clarke
American Sanders**
RS-16, RS-16 DC
Assembly Drawing Parts List 1/10

Ref.	Part No.	Description	RS-16 Qty.	RS-16 DC Qty.
1	71119A	Label	1	1
2	21074A	Handle Front	1	1
3	10687A	Module	1	1
4	80290A	Screw, 10-32 x 3/8	4	4
5	80291A	Washer, #10	1	1
6	21075A	Handle Back	1	1
7	80284A	Screw, 10-32 x 3/4	6	6
8	61373A	Handle Tube	1	1
9	10304A	Adaptor	-	1
10	85815A	Screw, 5/16 x 1 1/4	-	1
11	Ref.*	Bushing (Equipped with 40789A)	1	1
12	40789A*	Cord Interconnect	1	1
13	40919A	Cord, Power	1	1
14	30407B	Hose, Squeegee	-	1
15	980648	Washer, 1/2	2	2
16	80295A	Washer, Bowd	2	2
17	53833A	Pin, 1/2	2	2
18	61725A	Axle	1	1
19	61915A	Shield, Inner	-	1
20	30725A	Skirt	-	1
21	10242A	Pad Driver	1	1
NI	460215	Hard Plate (Option 1)	1	1
22	30381A	Bumper	1	1
23	80294A	Screw, 5/16	4	4
25	61826A	Shield (with connector)	-	1
	61715A	Shield	1	-
26	21088A	Main Frame	1	1
27	53650A	Motor	1	1
28	70499A	Label	1	1
29	39857A	Wheel	2	2
30	80292A	Screw, 1/4-20 x 1	2	2
31#	56109699	Cam Assy With Grip NOTE 1	1	1
35	980349	Washer	1	1
36	50781A	Clamp	1	1
37	920342	Nut, 3/8	1	1
38	61716A	Cover	1	1
39	71120A	Label	1	1
40	920110	Nut, 5/16	-	1
41	61740A	Link Arm, Left	1	1
42	61741A	Link Arm, Right	1	1

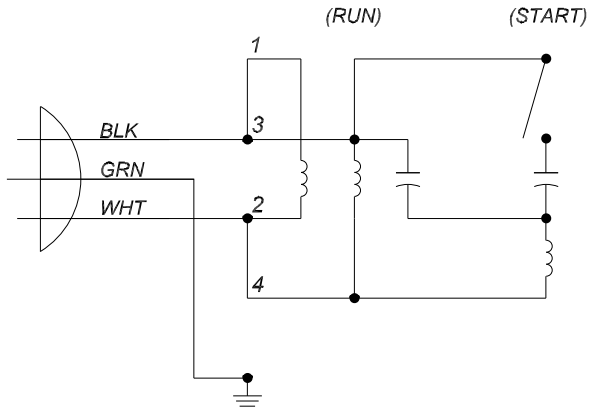
= Revised or new since last update

NOTE 1: The old handle assy consisting of the following parts (56057675, 53662A, 461404, 441301) is no longer available. If you need to replace any of these components please order 56109699.

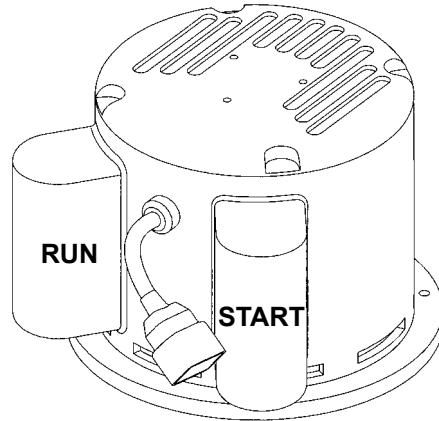
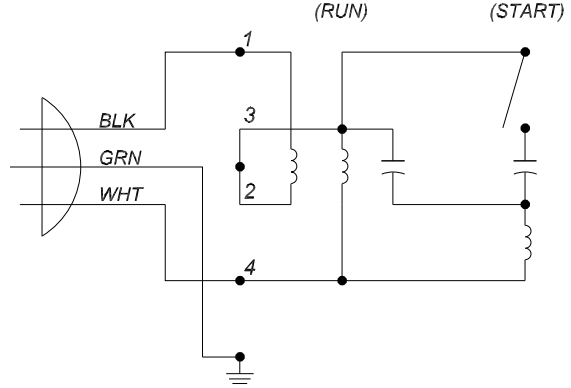
**Clarke®
American Sanders®**

**RS-16, RS-16 DC
Motor Assembly Drawing, Parts List and Schematics 3/08**

*ELECTRICAL SCHEMATIC
(120V)*



*ELECTRICAL SCHEMATIC
(230V)*



VOLTS / Hz

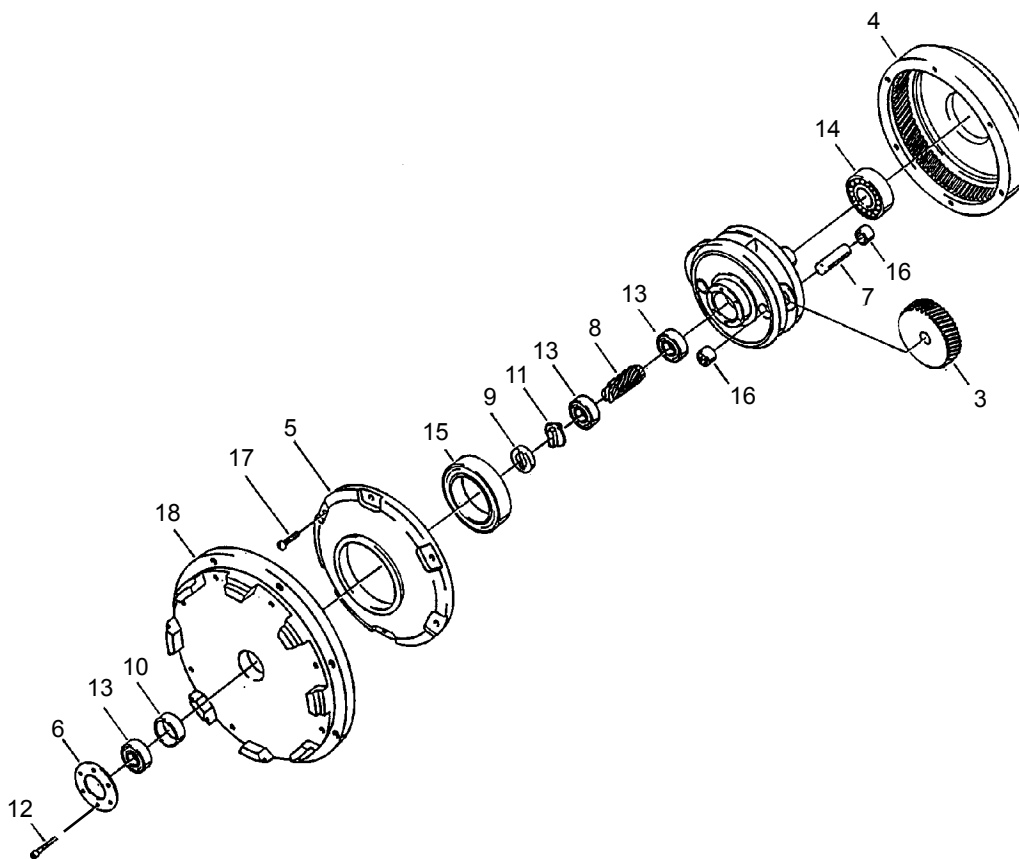
120 / 60

MOTOR PART NUMBER

40763A

Part No.	Description	Qty
53193A	Rotor, 1.5HP, 60Hz	1
40694A	Capacitor, Start	1
53191A	Capacitor, Run	1
53189A	Stator, 1.5HP, 60Hz	1
53360A	Cover, Capacitor Right	2
40699A	Cover, Wiring	1
53190A	Switch, Start	1
53195A	Centrifugal 4-Pole 60Hz	1
70787A	Label, Connection	1
85303A	Screw, 8-32 x 3/8	11
902550	Bearing, Ball-6203	1
53848A	Plate, Mounting	1
80141A	Screw, 10-32 x 1	6
911177	Wire Nut - Orange	2
40698A	Endbell	1
41053A	Cord, IEC	1
747553	Strain Relief	1

**RS-16, RS-16 DC
Gearbox Assembly Drawing & Parts List 1/06**



VOLTS / Hz			120 / 60
GEARBOX PART NUMBER			53646A
Ref.	Part No.	Description	Qty
NI	503802	Grease - 14 Ounce Tube	(1)
3	54408A	Gear, Planet	3
4	54856A	Gear, Ring	1
5	54858A	Cover, Gearbox	1
6	56922A	Retainer, Bearing	1
7	58312A	Shaft, Planet	3
8	58313A	Gear, Pinon	1
9	58314A	Retainer, Shaft	1
10	58520A	Spacer, Sleeve	1
11	69195A	Coupling, Shaft	1
12	80141A	Screw, 10-32 x 1	6
13	902606	Bearing, Ball- 6002	3
14	902654	Bearing, Ball- 6204	1
15	902736	Bearing, Ball- 6010	1
16	902737	Bearing, Needle	6
17	84808A	Screw, 10-24 x 3/4	6
18	53848A	Plate, Mounting	1

NOTE: Use 9 ounces of grease in Gearbox 53645A and 8 ounces of grease in Gearbox 53646A

**Clarke®
American Sanders®**

**RS-16, RS-16 DC
Machine Schematic 1/06**

