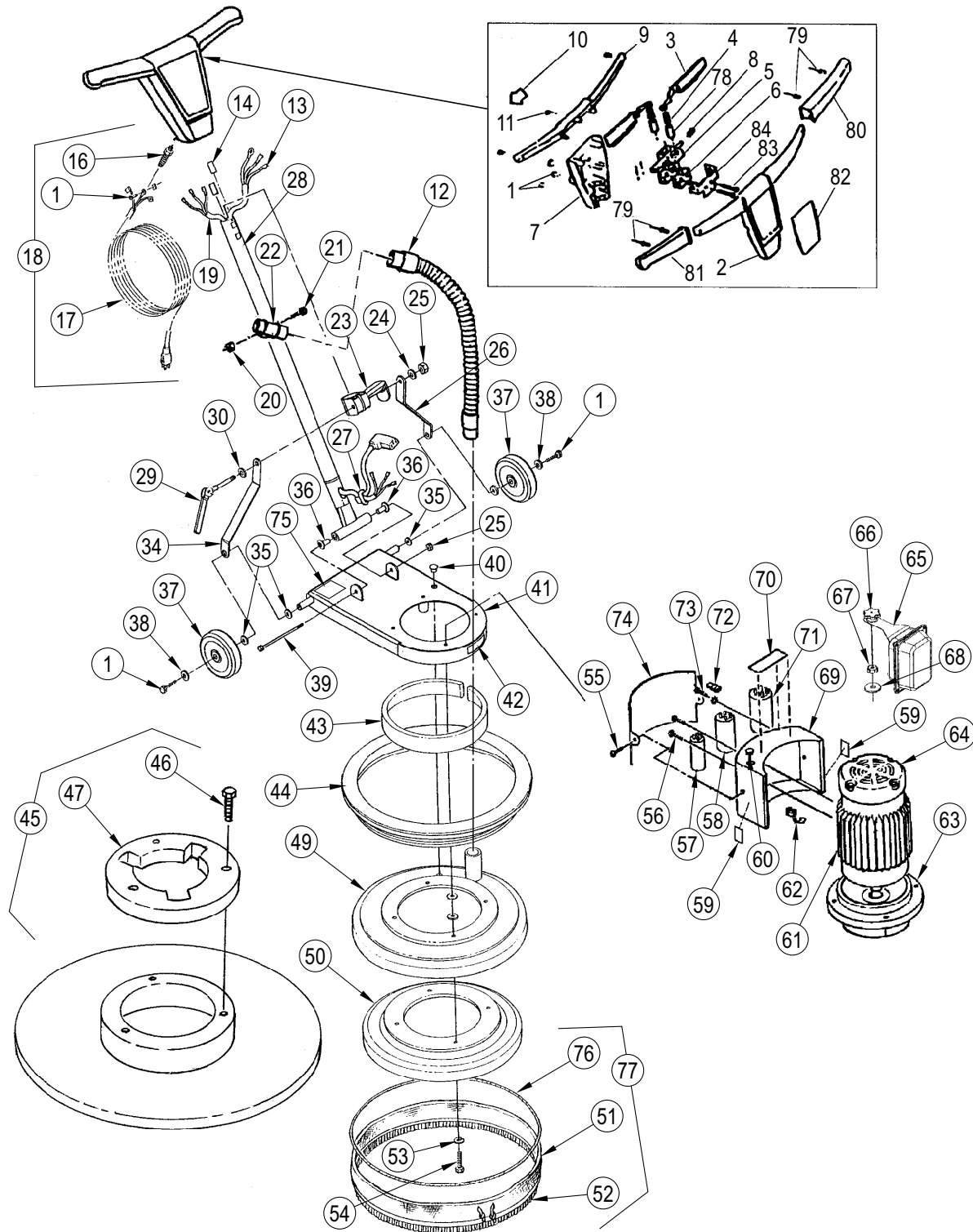


**Clarke®
American Sanders**
Sander 1600DC
Assembly Drawing 3/10



**Clarke®
American Sanders**
Sander 1600DC
Assembly Drawing Parts List 3/10

Ref.	Part No.	Description	Qty.
1	962289	Screw, 1/4-20 x 3/4	10
2	24508A	Cover, Switch Front	1
3	505140	Lever, Switch	2
4	508340	Spring, Extension	2
5	38004A	Stop, Switch Interlock	1
6	911680	Switch	2
7	22109A	Cover, Switch Housing	1
8	67900A	Spring, Switch Lever	1
9	24507A	Housing, Handle & Switch	1
10	445178	Label, Interlock	1
11	962391	Screw, 10-24 x 1	1
12	30408B	Hose	1
13	40530A	Cord, Lamp Power	1
14	50930A	Retainer, Cord	1
[15]	82100A	Locknut	1
16	50797A	Relief, Strain (included w/18)	1
17	42207A	Power Cord	1
18	908275	Cord Assembly (includes 16)	1
19	40927A	Cord, Interconnect	1
20	920110	Nut 5/16-18 ESNA	1
21	85815A	Screw, 5/16-18 x 1 1/2	1
22	10304A	Adapter Hose	1
23	50781A	Clamp, Handle	1
24	980645	Washer, Flat 3/8	1
25	920342	Nut, 3/8-16 ESNA	2
26	52349A	Arm Link, LH	1
27	50796A	Bushing, Cord	1
28	53742A	Tube, Handle	1
29#	56109699	Cam Assy W/Grip NOTE 1	1
30	980349	Washer, Wear Cam	1
31#		DELETED	
32#		DELETED	
33#		DELETED	
34	52348A	Arm Link, RH	1
35	87050A	Washer, 5/8 Nylon	2
36	50794A	Bushing, Nylon	2
37	50793A	Wheel, 5"	2
38	87035A	Washer, Fender #10 SS	2
39	80087A	Screw, 3/8-16 x 6	1
40	57120A	Plug, Button	1
41	50986A	Frame, Main	1
42	70499A	Label	1
43	52368A	Seal, Foam	1
44	52359A	Bumper	1
45	10242A	Assembly, Pad Driver	1
46#	84100A	Screw, 14-10 x 1 3/4	3
47#	31403A	Clutch Plate	1
48#		DELETED	
49	10241A	Shield w/connector	1

Ref.	Part No.	Description	Qty.
50	52344A	Shield, Brush	1
51	30187A	Shroud, Skirt	1
52	10329A	Assembly, Brush Skirt	1
53	980652	Washer, Lock 5/16	4
54	962308	Screw, 5/16-18 x 2 1/4	4
55	962727	Screw, 8-32 x 1/2	2
56	962892	Screw, 1/4-20 x 3/4	2
57	47409A	Switch, Start	1
58	41311A	Capacitor, Run	1
59	77234A	Warning, Heavy	2
60	57165A	Plug, Nylon	1
61	40533A	Motor, 1.5 HP	1
62	51523A	Bushing, Strain Relief	1
63	50979A	Gearbox	1
64	40567A	Cover, Motor	1
65	10252A	Lamp Assembly	1
66	20028A	Knob, Lamp	1
67	81302A	Nut, 1/4-20 Jam	1
68	980205	Washer	1
69	22906A	Enclosure, Motor	1
70	77195A	Label, UL Fire	1
71	41312A	Capacitor, Start	1
72	170667	Wire Nut	2
73	85833A	Screw, Ground	1
74	62667A	Cover, Enclosure	1
75	73285A	Label, Warning	1
76	52369A	Retainer	1
77	10240A	Skirt Assembly (includes 51, 52, & 76)	1
78	500241	Adapter, Switch	2
79	930108	Rivet	4
80	34612A	Grip, Handle Left	1
81	34613A	Grip, Handle Right	1
82	71141A	Label	1
83	84807A	Screw, 6-32 x 1 5/8 Pn St.	2
84	61120A	Bracket, Stop Switch	1
[]#	56380639	Decal-Prop65	1

Optional Accessories Available

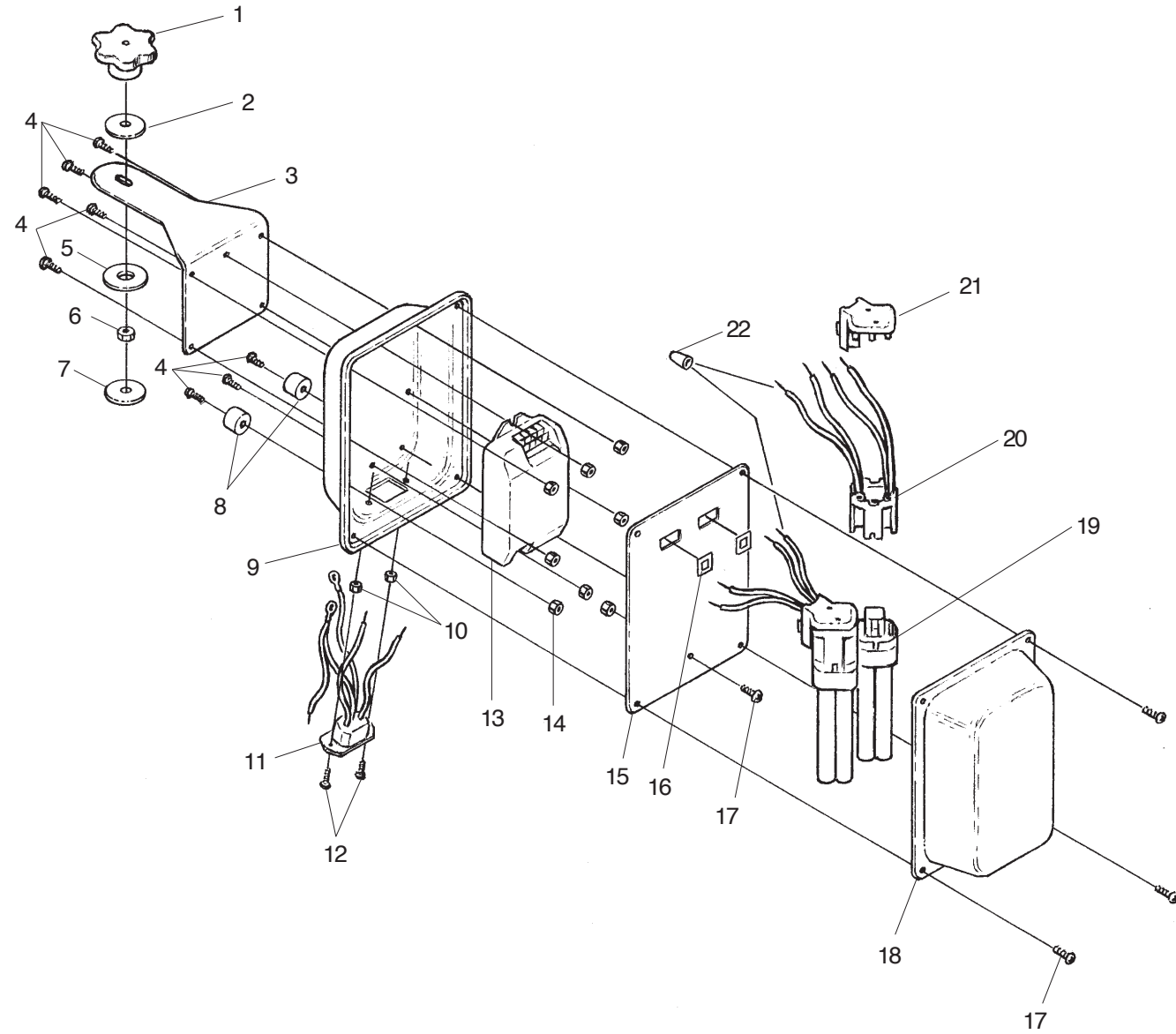
Part No.	Description
37007A	Pad Driver (15" Super Grip)
460215	Sanding Plate
674117	1 1/2" x 50' Bulk Hose
632418	1 1/2" x Hose Cuffs (for above hoses)
682408	1 1/2" Hose Coupler
639804	Wand Assembly
638820#	Tool-Felt Shod 14 1 1/2
674114	Hose, Vac 1 1/2" x 10'
634118	Hose, Vac 1 1/2" x 15'
68805A	Weight, Machine

[] = Not Shown

= Revised or new since last update

NOTE 1: The old handle assy 441401 consisting of the following parts (925592, 441301, 461404) is no longer available. If you need to replace any of these components please order 56109699.

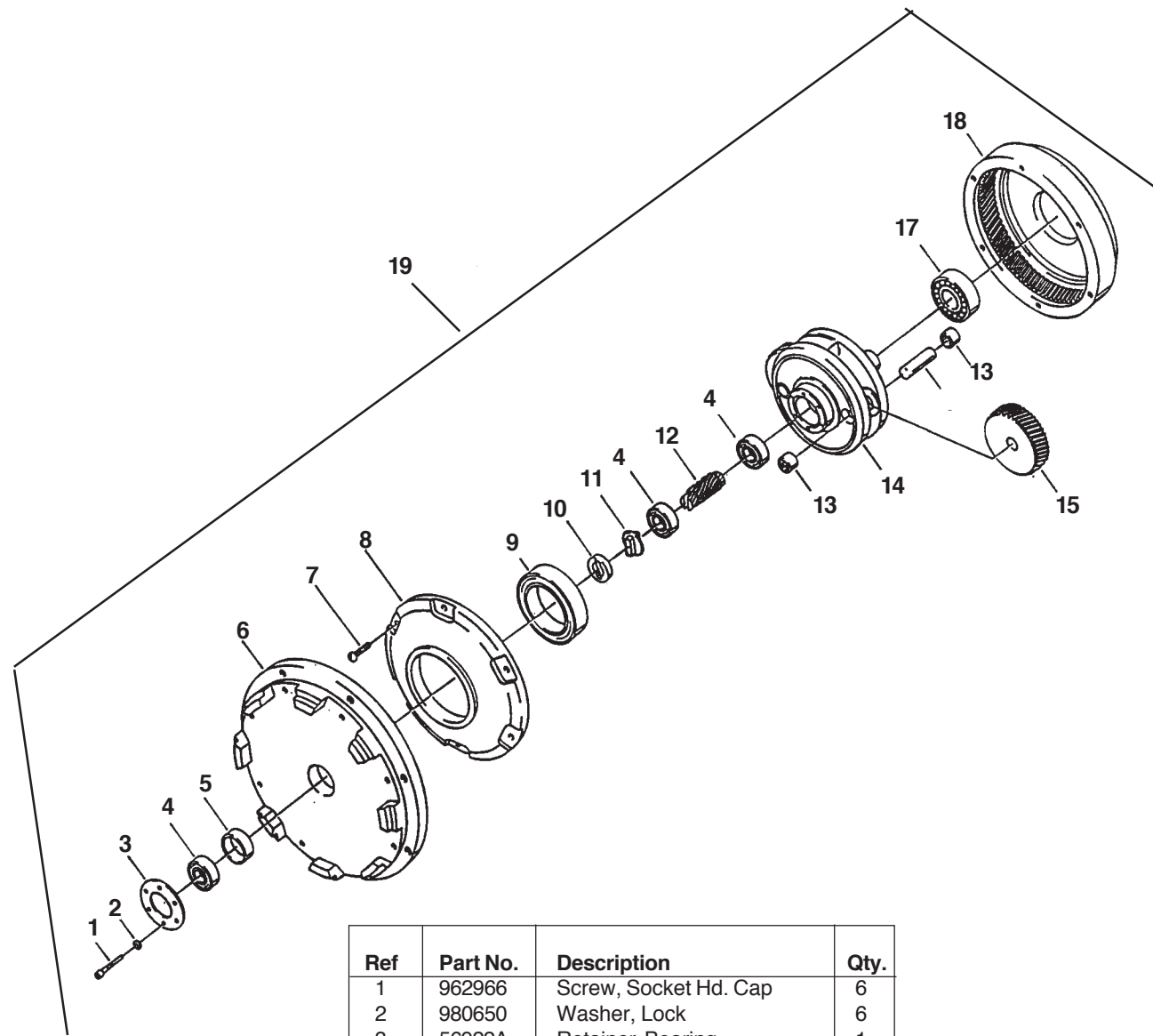
Clarke®
American Sanders
 Sander 1600DC
 Lamp Assembly Drawing 10/01



Clarke®
American Sanders
 Sander 1600DC
 Lamp Assembly Drawing Parts List 2/05

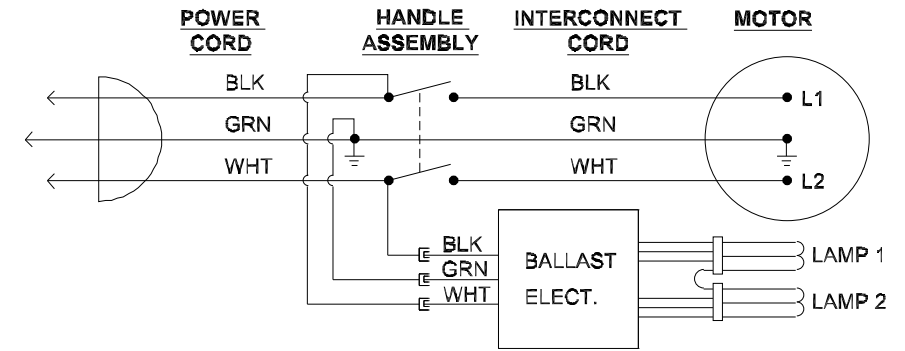
Ref.	Part No.	Description	Qty.
1	20028A	Knob	1
2	87625A	Washer, Nylon	1
3	60551A	Lamp Bracket	1
4	962027	Screw, 8-32 x 1/2 Pan Head	8
5	87607A	Washer Nylon	1
6	81302A	Nut, 1/4-20 Jam	1
7	980205	Washer	1
8	51612A	Bumper	2
9	39862A	Enclosure	1
10	920056	Nut, 6-32 ESNA	2
11	40528A	Lamp Socket	1
12	962974	Screw, 6-32 x 1/2 Flat Head	2
13	52350B	Ballast, 13W Electronic	1
14	920065	Nut, 8-32 ESNA	8
15	60550A	Reflector	1
16	52367A	Grommet	2
17	85303A	Nut, 8-32 x 3/8	5
18	39863A	Cover, Lamp	1
19	52357A	Lamp, 13W Quad Tube	2
20	52358A	Socket, Vertical Screw - MNT	2
21	52356A	Adapter - Socket	2
22	40783A	Tap Splice	2

**Clarke®
American Sanders
Sander 1600DC
Gearbox Assembly and Parts List**



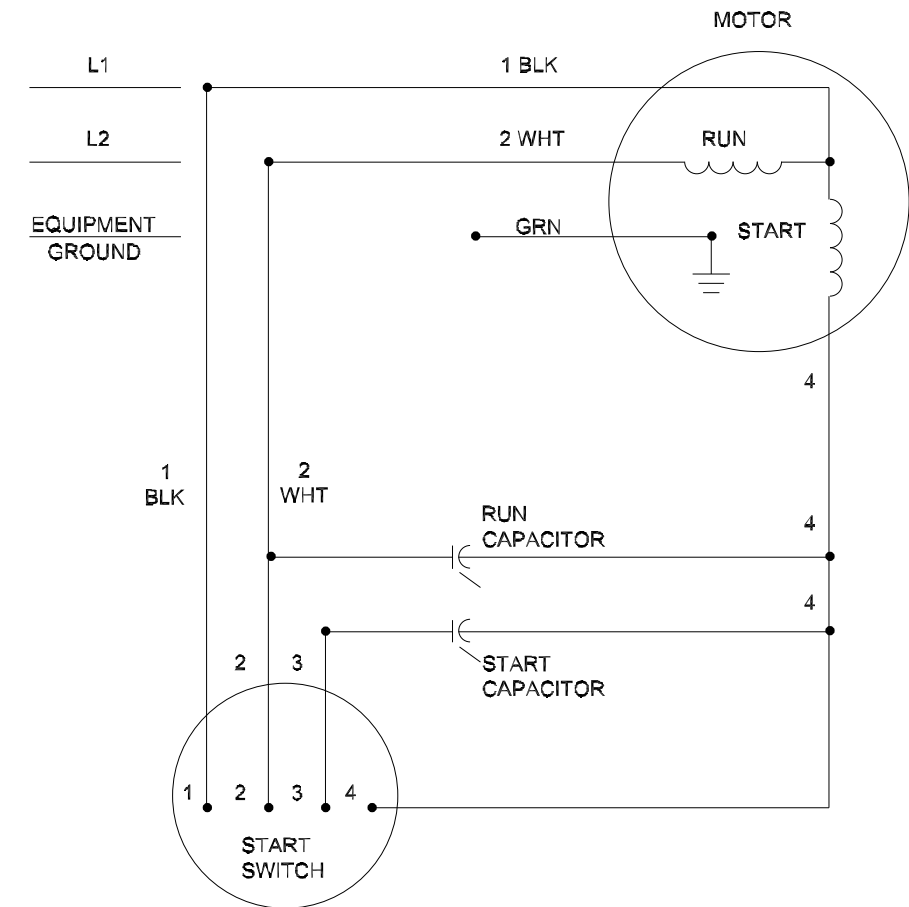
Ref	Part No.	Description	Qty.
1	962966	Screw, Socket Hd. Cap	6
2	980650	Washer, Lock	6
3	56922A	Retainer, Bearing	1
4	902606	Bearing, Ball	3
5	58520A	Spacer, Sleeve	1
6	N/A	Endshield	1
7	962794	Screw 10-24" x 1"	6
8	54858A	Cover, Housing	1
9	902736	Bearing	1
10	58314A	Retainer	1
11	442473	Coupling	1
12	58313A	Gear, Pinion	1
13	902737	Bearing, Needle	6
14	N/A	Cage	1
15	54408A	Gear, Idler	3
16	58312A	Shaft	3
17	902573	Bearing, Ball	1
18	54856A	Housing, Drive	1
19	50979A	Gearbox Asm., Complete	(1)
NI	503802	Grease, 11.5 oz	8oz.

**Clarke®
American Sanders
Sander 1600DC**



**WIRING SCHEMATIC
10/01**

⚠ WARNING: All electrical repairs must be performed by qualified personnel only.



**MOTOR SCHEMATIC
10/01**